





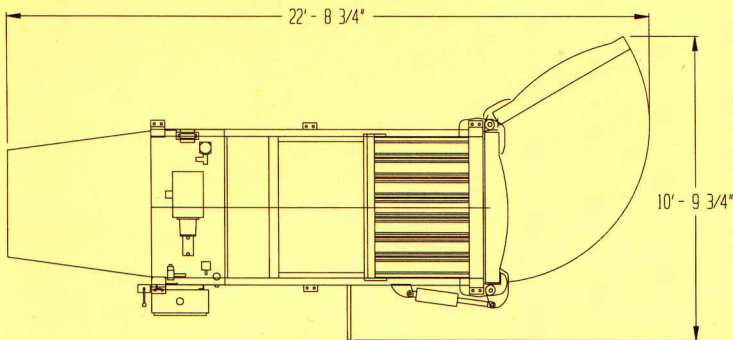
# CRAM-A-LOT® "BIG MOUTH" HE-60

## HORIZONTAL BALER FEATURES:

- PULL-THRU WIRE TIE SYSTEM . . . . .Speeds and simplifies bale tying
- ADVANCED SHEAR SYSTEM . . . . .Greatly increases the baler's shearing capabilities
- HEAVY DUTY CHAMBER DOOR DESIGN . . . . .Superior door strength and ease in bale tying
- SPRING LOADED PAPER RETAINERS . . . . .Holds material in the bale chamber and speeds up baling time
- AUTOMATIC BALE EJECTION . . . . .Bale is removed from the chamber hydraulically
- PENETRATION TO WITHIN 3" OF DOOR . . . . .Full penetration gives more uniform bale density
- AUTOMATIC CYCLE CONTROL (STANDARD) . . . . .A pair of high gain photo-cells allow more accurate control
- CONVEYOR CONTROL (STANDARD) . . . . .Gives the customer seamless integration with conveyors
- HYDRAULIC LATCHING (STANDARD) . . . . .Makes opening the chamber door safe. Guarantees the platen has released pressure from the bale before the door is opened
- 100% FULL INDICATOR (STANDARD) . . . . .Notifies user when bale is ready to be tied off
- CLEAR CHAMBER TO START EACH BALE . . . . .Gives maximum flexibility to bale multiple materials and keep them separated. Helps to provide uniform bales

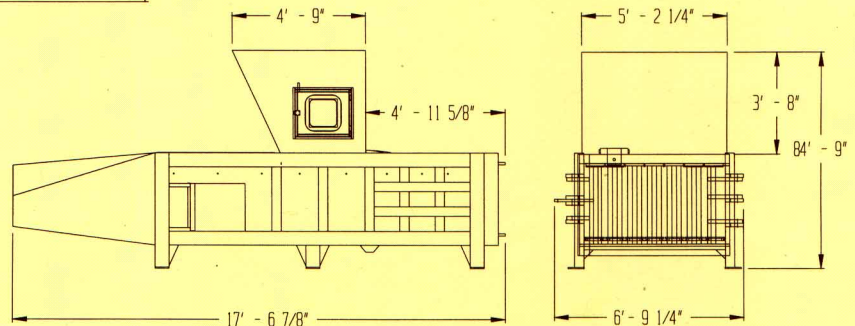
## SPECIFICATIONS

FEED OPENING . . . . .	60"x36"	PLATEN . . . . .	Normal	67.0 psi
PENETRATION . . . . .	FULL		Maximum	78.2 psi
BALE SIZE . . . . .	60"x30"x48"	CYCLE TIME . . . . .	48 seconds (no load)	
BALE WEIGHT . . . . .	Corrugated	MOTOR . . . . .	20 hp	
	High Grade	PUMP . . . . .	38 gpm (Hi-Lo)	
	News Print	CYLINDERS . . . . .	8" Bore x 84" Stroke x 5" Rod	
	P.E.T.	RESERVOIR . . . . .	107 gallon remote	
	H.D.P.E.	ENCLOSURE . . . . .	UL & CUL Listed, NEMA-12	
OPERATING PRESSURE . . . . .	Aluminum	CONTROLS . . . . .	UL & CUL Listed	
	Normal	WEIGHT . . . . .	HE-60 with power unit	15,200 lb.
PLATEN FORCE . . . . .	Maximum		HE-60 with hopper, power unit &	Conveyor
	Normal			17,600 lb.
	Maximum			



*our service alone  
could make you  
our customer*

In order to provide the most currently engineered and designed equipment, we reserve the right to change specifications without prior notice. This brochure is intended to provide information only and should not be used in an arbitrary manner to judge equipment for any particular purpose. Performance may vary with application. Products must be installed and operated according to required standards, codes, regulations and safety procedures. Only the standard written warranty issued by J.V. Manufacturing, Inc. applies.



**Manufacturing a full line of CRAM-A-LOT® Solid Waste Equipment**